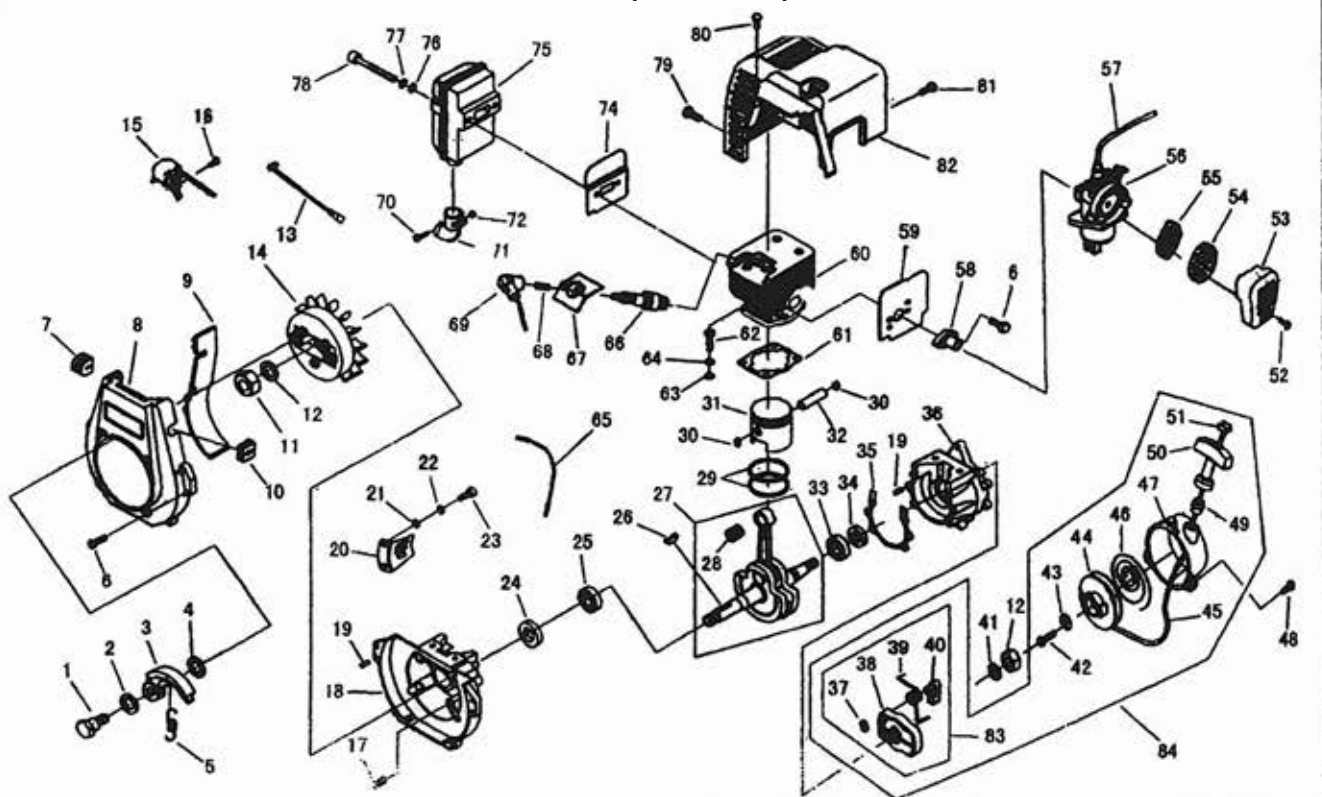


# HZ-328 / HZ-1016 BRUSH CUTTER (ENGINE)



NO.	PART NO.	PART NAME	QTY.	NO.	PART NO.	PART NAME	QTY.	NO.	PART NO.	PART NAME	QTY.
1	1E36F-1	CLUTCH STEP SCREW	2	29	1E36F.10-3	PISTON RING	2	57	1E36F.14	THROTTLE WIRE COMP.	1
2	1E36F-2	CLUTCH WASHER A	2	30	1E36F.10-2	PISTON PIN CIRCLIP	2	58	1E36F-14	INLET MANIFOLD	1
3	1E36F.6.1	CLUTCH SHOE COMP.	2	31	1E36F.10.1	PISTON 36	1	59	1E36FB-4	INLET MANIFOLD GASKET	1
4	1E36F-3	CLUTCH WASHER B	2	32	1E36F.10-1	PISTON PIN	1	60	1E36FB-5	CYLINDER	1
5	1E36F.6-1	CLUTCH SPRING	1	33	GB/T276	BALL BEARING 6002/P5	1	61	1E36F-5	CYLINDER WASHER	1
6	GB/T9074.4	SCREW M5×20	6	34	1E36F.2	OIL SEAL	1	62	GB/T70.1	SCREW M5×20	4
7	1E36F-7	PRIMARY CORD GROMMET	1	35	1E36F.3-1	CRANK CASE GASKET	1	63	GB/T848	S. WASHER 5	4
8	1E36F-4	PAN CASE	1	36	1E36F.3-2	REAR HALF CRANK CASE	1	64	GB/T93	S. WASHER 5	4
9	1E36F-17	FLASH PAN	1	37	GB/T896	STOP RING 4	1	65	1E36F.9	STOP WIRE	1
10	1E36F-12	GROMMET	1	38	1E36F.1.2-1	STARTER PAWL SPRING	1	66	A4117	PLUG	1
11	GB/T6170	NUT M8	2	39	1E36F.1.2-2	STARTER PAWL SPRING	1	67	1E36FB.1-1	PLUG COVER	1
12	1E36F-9	S. WASHER 8	1	40	1E46FP.4-2	STARTER PAWL	1	68	1E40F-3A.8-2	CLICK SPRING	1
13	1E36FB.1.1	SHORT STOP CORD COMP	1	41	GB/T859	STOP RING 8	1	69	1E36FB.1-2	PLUG CAP	1
14	1E36F.5-1	MAGNETO ROTOR COMP.	1	42	GB/T67	SCREW M5×12	1	70	GB/T823	SCREW M4×12	1
15	1E36F.5-2	IGNITION COIL COMP.	1	43	1E36F.1-4	ROPE REEL WASHER	1	71	1E36F.12.1	TAIL PIPE COMP.	1
16	GB/T9074.4	SCREW M4×20	2	44	1E36F.1-3	STARTER ROPE REEL	1	72	GB/T6170	NUT M4	1
17	GB/T9074.4	SCREW M5×30	4	45		ROPE	1	74	1E36FB-3	GASKET	1
18	1E36F.3-3	FRONT HALF CRANK CASE	1	46	1E36F.1-2	RECOIL SPRING	1	75	1E36F.12	MUFFLER COMP.	1
19	GB/T119	ANNUL B4×10	4	47	1E36F.1.1.1	RECOIL STARTER BODY	1	76	GB/T97.1	S. WASHER 6	2
20	1E36F.3-6	HELMET	1	48	GB/T9074.4	SCREW M4×16	3	77	GB/T93	S. WASHER 6	2
21	GB/T97.1	S. WASHER 5	2	49	1E36F.1.1-1	ROPE GUIDE	1	78	GB/T70.1	SCREW M6×65	2
22	GB/T93	S. WASHER 5	2	50	1E36F.1-1	STARTER HANDLE	1	79	GB/T9074.4	SCREW M4×10	2
23	GB/T70.1	SCREW M5×10	2	51	1E36F.1-5	RING	1	80	GB/T9074.4	SCREW M4×12	2
24	1E36F.4	OIL SEAL	1	52	GB/T9074.4	SCREW M4×25	2	81	GB/T9074.4	SCREW M5×12	1
25	GB/T276	BALL BEARING 6202/P5	1	53	1E36F.16-1	CLEANER BODY	1	82	1E36FB-2	CYLINDER SHROUD	1
26	GB/T1099	WOOD-RUEF KEY 3×5×13	1	54	1E36F.16-2	CLEANER ELEMENT	1	83	1E36F.1.2	STARTER PULLEY ASS'S	1
27	1E36F.8	CRANK SHAFT COMP.	1	55	1E36F.16-3	CLEANER FIXING BASE	1	84	1E36F.1	STARTER	1
28	1E36F.8.2	NEEDLE BEARING	1	56	1E36F.15	CARBURETOR ASS'S	1				