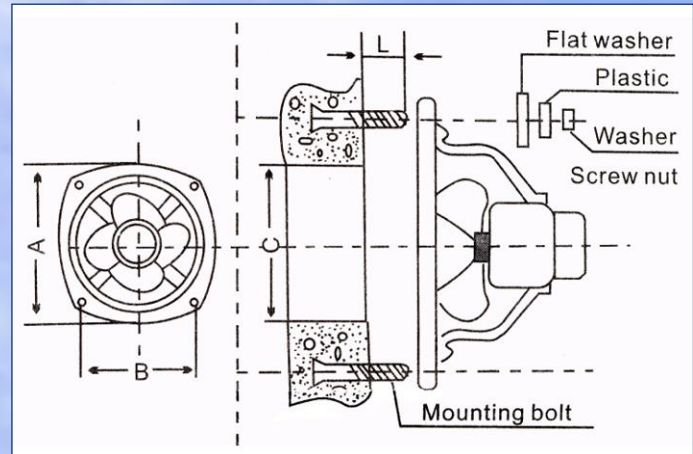
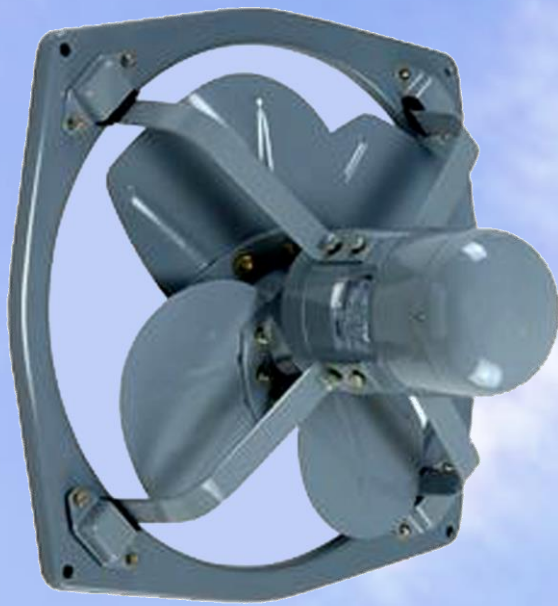




HEAVY DUTY EXHAUST FAN



Size (mm)	A(mm)	B(mm)	C(mm)	L(mm)
300 (12")	386	308	Ø326	≥25
400 (15")	480	380	Ø416	≥25
450 (18")	556	432	Ø476	≥30
600 (24")	720	570	Ø620	≥30

Model	Size (mm)	Voltage (v)	Air Volume (m ³ /min)	Speed (rpm)	Power (w)
FA-30II	300 (12")	220~240	32	1400	130
FA-38II	375 (15")	220~240	68	1400	220
FA-45II	450 (18")	220~240	100	1400	380
FTA-45II	450 (18")	380~420	100	1400	380
FA-60II	600 (24")	220~240	115	960	400
FTA-60II	600 (24")	380~420	115	960	400

