

# 5 SERIES

ZHEJIANG WUYI MACHINERY CO.,LTD  
ZHEJIANG HOISTING MFG.CO.,LTD



ZHEJIANG WUYI MACHINERY CO.,LTD  
ZHEJIANG HOISTING MFG.CO.,LTD

Factory No 1,Add.No.888 Bailing South Road,Quzhou,Zhejiang,China  
Factory No 2,Add.No.676 Century Avenue,Quzhou,Zhejiang,China  
Tel:+86-570-2295050 / 3830301 Fax:+86-570-3830123  
Email:sales@51hoist.com  
Web:www.51hoist.com www.pb-hoist.com

# 公司简介 >>>>>>>>>>

Zhejiang Wuyi Machinery Co., Ltd. is located in Quzhou, Zhejiang province. Since 1972, with the brand of Shuang Ge, Peace Bird, Wuyi, we are one of the largest manufacturers of chain block, lever block, load chain and various hoisting equipment in China. Our company has more than 400 employees and covers a total area of about 200,000 square meters. With CE, GS certification by TUV, Our products have been exported to more than 60 countries all over the world. We have won a good reputation among our customers by providing high quality, safe and reliable products as well as fast and efficient services. Welcome to visit us.

浙江五一机械有限公司前身是创办于1972年的浙江五一机械厂。2002年4月，经批准改组为国有独资有限责任公司，是省政府批准的“五个一批”企业之一，为国家大型二档工业企业。浙江五一机械有限公司是中国最大的手动葫芦研制和生产基地，是全国手动葫芦行业中的骨干型企业，是手动葫芦国家标准制定单位之一，主要生产和销售“双鸽”牌、“五一”牌葫芦，年产手动葫芦45万台。

“金奖品质，五一制造”，优异的品质使得“双鸽”牌、“五一”牌葫芦在国内外市场中赢得了较高的声誉，成为国家名牌产品。持续改进和稳定的生产工艺，使得“双鸽”牌、“五一”牌葫芦在市场上始终主导着我国手动葫芦行业的发展方向。1985年、1990年公司手拉葫芦系列产品两次荣获国家金质奖，成为行业内唯一获此殊荣的企业。金奖的品质也收获了浙江省名牌产品、浙江省著名商标、浙江省可靠产品等众多荣誉。管理出品质，在企业管理上，先后获得了省、部质量管理奖，安全级企业，全国现场管理先进单位等荣誉60余项。

公司始终坚持“我们的产品质量就是使用单位生产安全的保证”的理念，在葫芦行业中最早通过ISO9001质量体系认证，是行业内首家获得三位一体化管理体系认证的企业，所有产品质量责任险由中国人民财产保险股份有限公司承保。



Shelf: It is made of light aluminum alloy shell light but hard. The cooling fan is specially designed to ensure quick heat dissipation with the rate up to 40% and continuous service. The integral enclosed structure is applicable to places like chemical plant and etc. crosplate factory.

Side magnetic braking device: The magnetic core generator is the latest design which is featured for generating magnetic force. It allows instant brake as soon as the electric power is cut off. Thus the braking safety while loading is guaranteed.

磁敏制动: 最新设计的磁力产生, 其特性为产磁, 可在电源切断的同时刹车, 保证重量时刹车绝对确保安全。

Limit switch: The limit switch device is installed where the weight is lifted on and off to make the motor to stop automatically so as to prohibit the chains from exceeding its safety.

极限开关: 吊上吊下都有极限开关装置, 使自动停止, 防止超载超出, 确保安全。

Chain: The chain shall adopt the imported FEC60 ultra heat-treatable aluminum alloy chain. It can be safely used in poor environments such as rain, sea water and chemicals.

链条: 采用进口FEC60超热处理合金钢链条, 在雨水、海水、化学品及其他恶劣状况下使用安全无虞。

Hook: It is hot forging with perfect strength that is hard to break. The operation safety of the lower hook is ensured by its 360 degree rotation and safety latch.

吊钩: 经热锻造成, 强度和韧性高, 不易断裂。下吊钩可360度旋转, 附安全舌片, 确保操作安全。

Support frame: The loading support frame consists of two steel plates which is extremely sturdy and etc. crosplate factory.

Transformer: 24V/36V transformer device. This device is used to prohibit unexpected accidents caused by electric leakage and guarantees the safe use while raining.

变压器: 24V/36V变压器装置, 操作时, 万一漏电, 可防止触电事故发生。下雨时, 甚至可保证安全使用。

Electromagnetic contractor: Electromagnetic contractor can be used safely under high frequency.

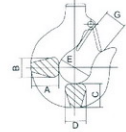
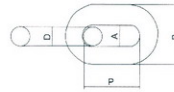
Inverse phase sequence protecting device: It is the special electrical installation which controls the circuit not to work in case of wiring error in the power supply.

逆向保护装置: 特殊电线装置, 当电源线接错时, 控制电路无法动作。

Mechanical brake: Dual braking system is safe and reliable.

Push button: Waterproof push button is applied, it is light and durable.

Standard Fittings Chain bag (1) Control cable (3m) Push-button switch (1)  
标准配件 链条袋 (1只) 控制电缆 (3m) 按钮开关 (1只)



### 起重链 CHAIN

Applicable Type 使用机型	Diameter 直径 (mm) D	Inside Length 节距 (mm) P	Inside Width 内宽 (mm) A	Outside Width 外宽 (mm) B	Work Load 工作负荷 (Kg)	Guaranteed Load 保证负荷 (KN)	Break Load 最大破断负荷 (KN)
WHDS-0.5-01	6.3	19	7.9	22	1120	27	47
WHDS-01-02							
WHDS-01-01	7.1	21	8.9	25	1600	37	61.6
WHDS-02-02							
WHDS-03-03	10.0	30	12.5	35	3200	76	125
WHDS-1.5-01							
WHDS-02-01	11.2	34	14	39	3800	92	154
WHDS-03-02							
WHDS-05-02							
WHDS-7.5-03							
WHDS-10-04							
WHDS-15-06							
WHDS-20-08							
WHDS-25-08							

### 吊钩 HOOK

Type 机型	Load 重量 (T)	TB	A	B	C	D	E	G
WHDS	0.5	TB	2.7	1.8	2.5	1.7	3.5	2.8
	1	TB	3.4	2.4	3.0	2.4	4.2	3.2
	2	TB	4.6	2.9	3.9	3.0	4.9	4.0
	3	TB	5.6	3.5	4.9	3.4	5.9	4.8
	5	TB	6.7	4.3	5.7	4.4	6.0	4.8
	7.5	TB	8.2	5.5	8.0	4.8	8.5	8.0
	1.0	TB	8.2	5.5	8.0	4.8	8.5	8.0
	1.5	TB	11.0	7.8	12.0	8.0	12.0	9.6
	2.0/2.5	TB	14.2	9.5	15.5	9.8	15.0	11.5

Hook/B-lower Hook  
Hook: It is hot forging with perfect strength that is hard to break. The operation safety of the lower hook is ensured by its 360 degree rotation and safety latch.

吊钩: 经热锻成型, 强度和韧性高, 不易断裂。下吊钩可360° 旋转并附安全舌, 以确保使用安全。

### WHDS-0.5-01 L

#### 型号 TYPE

It is the General Representation from of the Hoist with Hook, Hoist with Electric Trolley and Hoist with Manual Trolley.



#### 额定载荷 RATED CAPACITY

CODE 型号	RATED CAPACITY 额定载荷	CODE 型号	NO of Load Chain 链条扣数
0.5	0.5t	01	1
01	1t	02	2
1.5	1.5t	03	3
02	2t	04	4
2.5	2.5t	06	6
03	3t	08	8
05	5t	10	10
7.5	7.5t		
10	10t		
15	15t		
20	20t		
25	25t		

S	Single speed
D	Dual speeds
L	Low clearance
LD	Low clearance double speed

**SINGLE SPEED**  
**单速**

**技术参数 TECHNICAL PARAMETERS**

Model 型号	WHD5										
	0.5-01S	01-01S	01-02S	1.5-01S	02-01S	02-02S	2.5-01S	03-01S	03-02S	03-03S	05-02S
Capacity (Ton) 额定荷载	0.5	1	1	1.5	2	2	2.5	3	3	3	5
Lifting speed (m/min) 提升速度	7.2	6.8	3.6	8.8	6.6	3.4	5.6	5.6	4.4	2.2	2.8
Motor Power (kw) 电机功率	1.1	1.5	1.1	3.0	3.0	1.5	3.0	3.0	3.0	1.5	3.0
Rotation speed (r/min) 转速	1440										
Insulation Grade 电机绝缘等级	F										
Travelling speed(m/min) 运行速度	12	11m/min&21m/min									
Power Supply 工作电压	3P-380v 50Hz										
Control Voltage 控制电压	24V /36V /48V										
NO. of Load Chain 链条根数	1	1	2	1	1	2	1	1	2	3	2
Spec. of Load Chain 链条规格	Φ6.3	Φ7.1	Φ6.3	Φ10.0	Φ10.0	Φ7.1	Φ11.2	Φ11.2	Φ10.0	Φ7.1	Φ11.2
Net Weight (kg) 净重	47	65	53	108	108	73	115	115	131	85	145
I-Beam (mm) 工字钢	75-125	75-178	75-178	82-178	82-178	82-178	100-178	100-178	100-178	100-178	112-178

**DOUBLE SPEED**  
**双速**

**技术参数 TECHNICAL PARAMETERS**

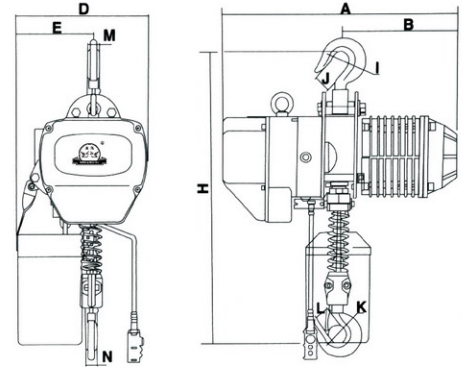
Model 型号	WHD5										
	0.5-01D	01-01D	01-02D	1.5-01D	02-01D	02-02D	2.5-01D	03-01D	03-02D	03-03D	05-02D
Capacity (Ton) 额定荷载	0.5	1	1	1.5	2	2	2.5	3	3	3	5
Lifting speed (m/min) 提升速度	7.2/2.4	6.9/2.3	3.6/1.2	8.8/2.9	6.9/2.3	3.3/1.1	5.6/1.8	5.6/1.8	4.5/1.5	2.4/0.8	2.8/0.9
Motor Power (kw) 电机功率	1.1/0.37	1.8/0.6	1.1/0.37	3.0/1.0	3.0/1.0	1.8/0.6	3.0/1.0	3.0/1.0	3.0/1.0	1.8/0.6	3.0/1.0
Rotation speed (r/min) 转速	1440										
Insulation Grade 电机绝缘等级	F										
Travelling speed(m/min) 运行速度	12	11m/min&21m/min									
Power Supply 工作电压	3P-380v 50Hz										
Control Voltage 控制电压	24V /36V /48V										
NO. of Load Chain 链条根数	1	1	2	1	1	2	1	1	2	3	2
Spec. of Load Chain 链条规格	Φ6.3	Φ7.1	Φ6.3	Φ10.0	Φ10.0	Φ7.1	Φ11.2	Φ11.2	Φ10.0	Φ7.1	Φ11.2
Net Weight (kg) 净重	54	75	60	128	128	83	135	135	151	95	165
I-Beam (mm) 工字钢	75-125	75-178	75-178	82-178	82-178	82-178	100-178	100-178	100-178	100-178	112-178

Nonstandard power supply can be customized

1 工作电压定制: 3p、220v-690v 50/60Hz  
2 控制电压可定制: 24v/36v/48v

**0.5~5t**

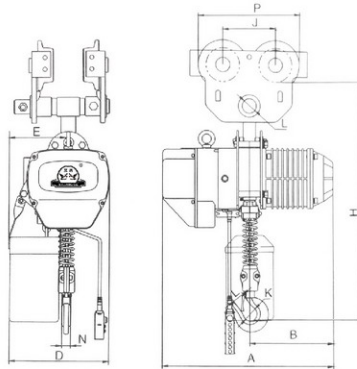
**HOIST WITH THE HOOK**  
**挂钩式**



**规格参数 SIZE SPECIFICATION**

Model 型号	Unit (mm) 单位										
	H	A	B	D	E	I	J	K	L	M	N
WHD5-0.5-01S	580	455	230	240	155	Φ31	29	Φ31	29	20	20
WHD5-0.5-01D	580	545	260	288	165	Φ31	29	Φ31	29	20	20
WHD5-01-01S	650	520	260	300	176	Φ42	32	Φ42	32	24	24
WHD5-01-01D	650	582	280	300	176	Φ42	32	Φ42	32	24	24
WHD5-01-02S	580	455	230	240	155	Φ42	32	Φ42	32	24	24
WHD5-01-02D	580	545	260	288	165	Φ42	32	Φ42	32	24	24
WHD5-1.5-01S	800	615	295	430	265	Φ49	40	Φ49	40	30	30
WHD5-1.5-01D	800	670	313	430	265	Φ49	40	Φ49	40	30	30
WHD5-02-01S	800	615	295	430	265	Φ49	40	Φ49	40	30	30
WHD5-02-01D	800	670	313	430	265	Φ49	40	Φ49	40	30	30
WHD5-02-02S	835	520	260	300	236	Φ49	40	Φ49	40	30	30
WHD5-02-02D	835	582	280	300	236	Φ49	40	Φ49	40	30	30
WHD5-2.5-01S	845	615	295	430	265	Φ59	48	Φ59	48	35	35
WHD5-2.5-01D	845	670	313	430	265	Φ59	48	Φ59	48	35	35
WHD5-03-01S	845	615	295	430	265	Φ59	48	Φ59	48	35	35
WHD5-03-01D	845	670	313	430	265	Φ59	48	Φ59	48	35	35
WHD5-03-02S	950	615	295	430	320	Φ59	48	Φ59	48	35	35
WHD5-03-02D	950	670	313	430	320	Φ59	48	Φ59	48	35	35
WHD5-03-03S	950	520	260	350	205	Φ59	48	Φ59	48	35	35
WHD5-03-03D	950	582	280	350	205	Φ59	48	Φ59	48	35	35
WHD5-05-02S	1030	615	295	430	325	Φ60	48	Φ60	48	43	43
WHD5-05-02D	1030	670	313	430	325	Φ60	48	Φ60	48	43	43

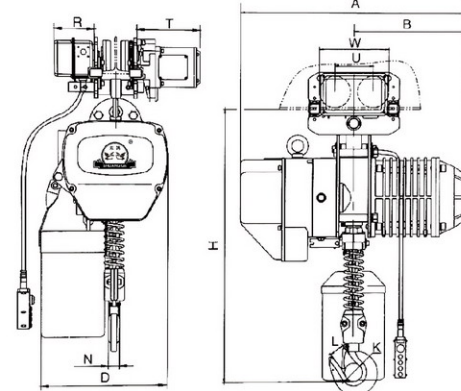
HOIST WITH MANUAL TROLLEY  
手动小车运行式



规格参数 SIZE SPECIFICATOON

Model 型号	Unit ( mm ) 单位											
	H	A	B	D	E	I	J	K	L	N	P	
WHDS-0.5-01S	580	455	230	240	155	Φ27	91	Φ31	29	20	163	
WHDS-0.5-01D	580	545	260	288	165	Φ27	91	Φ31	29	20	163	
WHDS-01-01S	650	520	260	300	176	Φ31	115	Φ42	32	24	221	
WHDS-01-01D	650	582	280	300	176	Φ31	115	Φ42	32	24	221	
WHDS-01-02S	680	455	230	240	155	Φ31	115	Φ42	32	24	221	
WHDS-01-02D	680	545	260	288	165	Φ31	115	Φ42	32	24	221	
WHDS-1.5-01S	764	615	295	430	265	Φ36	138	Φ49	40	30	265	
WHDS-1.5-01D	764	670	313	430	265	Φ36	138	Φ49	40	30	265	
WHDS-02-01S	764	615	295	430	265	Φ36	138	Φ49	40	30	265	
WHDS-02-01D	764	670	313	430	265	Φ36	138	Φ49	40	30	265	
WHDS-02-02S	800	520	260	300	236	Φ36	138	Φ49	40	30	265	
WHDS-02-02D	800	582	280	300	236	Φ36	138	Φ49	40	30	265	
WHDS-2.5-01S	854	615	295	430	265	Φ43	157	Φ59	48	35	277	
WHDS-2.5-01D	854	670	313	430	265	Φ43	157	Φ59	48	35	277	
WHDS-03-01S	854	615	295	430	265	Φ43	157	Φ59	48	35	277	
WHDS-03-01D	854	670	313	430	265	Φ43	157	Φ59	48	35	277	
WHDS-03-02S	960	615	295	430	320	Φ43	157	Φ59	48	35	277	
WHDS-03-02D	960	670	313	430	320	Φ43	157	Φ59	48	35	277	
WHDS-03-03S	960	520	260	350	205	Φ43	157	Φ59	48	35	277	
WHDS-03-03D	960	582	280	350	205	Φ43	157	Φ59	48	35	277	
WHDS-05-02S	1007	615	295	430	325	Φ54	178	Φ60	48	43	332	
WHDS-05-02D	1007	670	313	430	325	Φ54	178	Φ60	48	43	332	

HOIST WITH ELECTRIC TROLLEY  
电动小车运行式

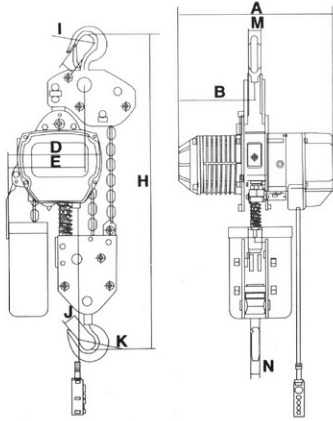


规格参数 SIZE SPECIFICATION

Model 型号	Unit ( mm ) 单位													
	H	A	B	D	E	I	K	L	N	W	U	R	T	
WHDS-0.5-01S	580	455	230	240	155	Φ27	Φ31	29	20	180	100	140	159	
WHDS-0.5-01D	580	545	260	288	165	Φ27	Φ31	29	20	180	100	140	159	
WHDS-01-01S	650	520	260	300	176	Φ31	Φ42	32	24	207	113	142	231	
WHDS-01-01D	650	582	280	300	176	Φ31	Φ42	32	24	207	113	142	231	
WHDS-01-02S	680	455	230	240	155	Φ31	Φ42	32	24	207	113	142	231	
WHDS-01-02D	680	545	260	288	165	Φ31	Φ42	32	24	207	113	142	231	
WHDS-1.5-01S	770	615	295	430	265	Φ36	Φ49	40	30	237	127	142	231	
WHDS-1.5-01D	770	670	313	430	265	Φ36	Φ49	40	30	237	127	142	231	
WHDS-02-01S	770	615	295	430	265	Φ36	Φ49	40	30	237	127	142	231	
WHDS-02-01D	770	670	313	430	265	Φ36	Φ49	40	30	237	127	142	231	
WHDS-02-02S	815	520	260	300	236	Φ36	Φ49	40	30	237	127	142	231	
WHDS-02-02D	815	582	280	300	236	Φ36	Φ49	40	30	237	127	142	231	
WHDS-2.5-01S	830	615	295	430	265	Φ43	Φ59	48	35	265	140	142	231	
WHDS-2.5-01D	830	670	313	430	265	Φ43	Φ59	48	35	265	140	142	231	
WHDS-03-01S	830	615	295	430	265	Φ43	Φ59	48	35	265	140	142	231	
WHDS-03-01D	830	670	313	430	265	Φ43	Φ59	48	35	265	140	142	231	
WHDS-03-02S	930	615	295	430	320	Φ43	Φ59	48	35	265	140	142	231	
WHDS-03-02D	930	670	313	430	320	Φ43	Φ59	48	35	265	140	142	231	
WHDS-03-03S	940	520	260	350	205	Φ43	Φ59	48	35	265	140	142	231	
WHDS-03-03D	940	582	280	350	205	Φ43	Φ59	48	35	265	140	142	231	
WHDS-05-02S	1015	615	295	430	325	Φ54	Φ60	48	43	296	156	142	231	
WHDS-05-02D	1015	670	313	430	325	Φ54	Φ60	48	43	296	156	142	231	



# 7.5t



## 产品特点 PRODUCT FEATURES

Our hoist is made of high-strength alloy, consists of beautiful appearance, compact mechanism, small in size and light weight. And we use double-gear drive, helical gear drive when it works under fast speed so that the hoists can drive smoothly with low noise.

本机采用高强度铝合金机体，外形美观，机体紧凑，体积小，重量轻。采用二级齿轮传动，高速级为斜齿轮传动。因而传动平稳，噪声小。

The components and parts of our hoist is high-strength as well.  
零件强度高。

The components and parts of our hoist is high-strength as well. The high-strength alloy on the components and parts is going through multiple special technology for heating processing, so that it is high-strength and good abrasion performance. The up and bottom hooks of our hoists are made of high-strength alloy too, which is good in ductility cause of strengthen heating processing. It means even the hoist is damaged by overload, the hook will only be plastic distorted and never be brittle fractured.

本机主要零部件均采用高合金钢材材料，并且经过多道特殊热处理工艺加工，具有强度高，耐磨性好等特点。上下吊钩采用高强度合金钢制作，经强化热处理后具有很高韧性，即使机体因超载引起破坏，吊钩也会塑性变形，而不会发生脆性断裂。

## 规格参数 SIZE SPECIFICATION

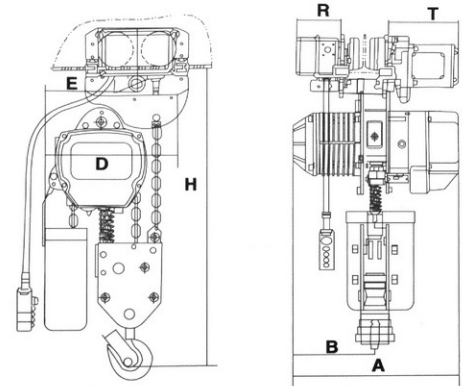
Model 型号	Unit (mm) 单位				
	H	A	B	D	E
WHD5-7.5-03S	1380	615	295	505	320
WHD5-7.5-03D	1380	670	313	505	320



Hoist with Hook



Hoist with Trolley



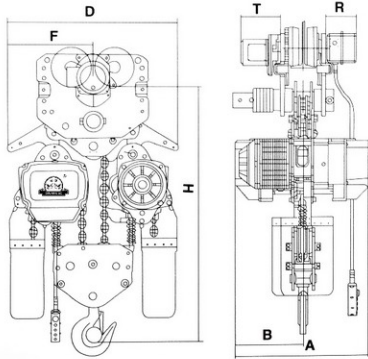
## 技术参数 TECHNICAL PARAMETERS

Model 型号	WHD5	
	7.5-0.3S	7.5-0.3D
Capacity (Ton) 额定荷载	7.5	7.5
Lifting speed (m/min) 起升速度	1.8	1.8/0.6
Motor Power (kw) 电机功率	3.0	3.0/1.0
Rotation speed (r/min) 转速	1440	2880/960
Insulation Grade 电机绝缘等级	F	
Travelling speed (m/min) 运行速度	11m/min&21m/min	
Power Supply 工作电压	3P-380v 50Hz	
Control Voltage 控制电压	24V/36V/48V	
NO of Load Chain 链条节数	3	
Spec. of Load Chain 链条规格	φ11.2	
Net Weight (kg) 净重	176	215
I-Beam (mm) 工字钢	125-178	

## 规格参数 SIZE SPECIFICATION

Model 型号	Unit (mm) 单位						
	H	A	B	D	E	R	T
WHD5-7.5-03S	1200	615	295	505	320	142	231
WHD5-7.5-03D	1200	670	313	505	320	142	231

# 10t >>>>>>



## 产品特点 PRODUCT FEATURES

**Shell:** Shell is lightweight and strong, cooling rate, the sealed design suitable for use in the environment of poor operating conditions.

**Reverse phase protection device:** a special electrical device, the control circuit does not work when the power supply wiring error.

**Limit switch:** when heavy objects hanging under has limit switch device, the motor automatically stops to prevent the chain beyond to ensure safety.

**The 24V/36V/48V devices:** when they are in operation in case of leakage switch to prevent accidents.

**Braking device:** This device can be achieved instantly when the power is cut off the brake.

**Chain bag:** lightweight, attractive and durable.

**Chromed:** imported FEC80 super heat alloy steel chain.

外壳: 外壳轻巧而坚固, 散热率高, 全密封式设计适合在作业条件较差的环境中使

用。逆相保护装置: 为特殊电器装置, 当电源接线错误时, 控制电路无法工作。

极限开关: 重物吊上吊下都有极限开关装置, 使电机自动停止, 以防止链条脱落, 确保安全。

24V/36V/48V装置: 当在操作时如遇到开关漏电, 可防止意外事故发生。

链条袋: 轻巧 美观 耐用。

链条: 采用进口FEC80超热处理合金钢链条。

## Hoist with Trolley >>>>>>

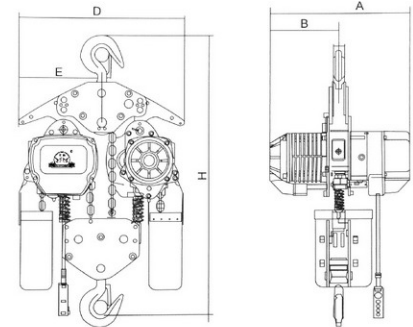


## 规格参数 SIZE SPECIFICATION

Model 型号	Unit (mm) 单位						
	H	A	B	D	F	R	T
WHD5-10-04S	1190	630	315	890	445	142	231
WHD5-10-04D	1190	670	388	890	445	142	231



## Hoist with Hook <<<<<<



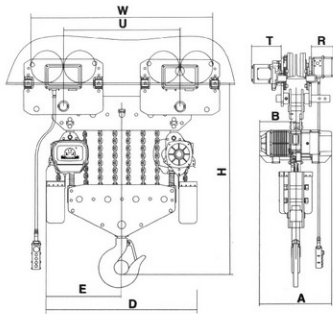
## 技术参数 TECHNICAL PARAMETERS

Model 型号	WHD5	
	10-04S	10-04D
Capacity (Ton) 额定荷载	10	10
Lifting speed (m/min) 起升速度	2.8	2.8/0.9
Motor Power (kw) 电机功率	2x3.0	2x3.0/1.0
Rotation speed (r/min) 转速	1440	2880/960
Insulation Grade 电机绝缘等级	F	
Travelling speed (m/min) 运行速度	11m/min&21m/min	
Power Supply 工作电压	3P-380v 50Hz	
Control Voltage 控制电压	24V/ 36V /48V	
NO. of Load Chain 链条回数	4	4
Spec. of Load Chain 链条规格	Φ11.2	
Net Weight (kg) 净重	300	360
I-Beam (mm) 工字钢	150-220	

## 规格参数 SIZE SPECIFICATION

Model 型号	Unit (mm) 单位				
	H	A	B	D	E
WHD5-10-04S	1400	630	315	890	445
WHD5-10-04D	1400	670	388	890	445

# 15~25t >>>>>>

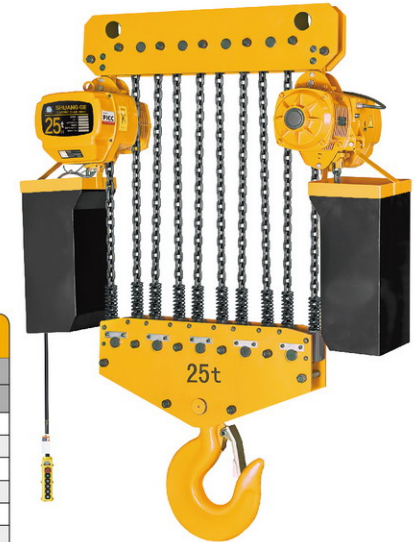
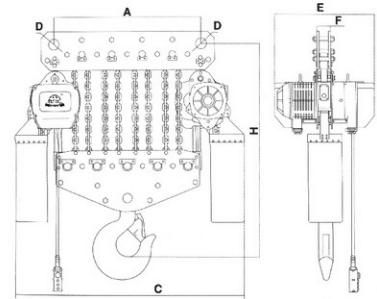


## 规格参数 SIZE SPECIFICATION

Model 型号	Unit (mm) 单位									
	H	A	B	D	E	W	U	R	T	
WHD5-15-06S	1310	630	315	1070	535	926	560	142	231	
WHD5-15-06D	1310	670	388	1070	535	926	560	142	231	
WHD5-20-08S	1470	630	315	1260	630	1106	740	142	231	
WHD5-20-08D	1470	670	388	1260	630	1106	740	142	231	
WHD5-25-10S	1580	630	315	1460	725	1280	930	142	231	
WHD5-25-10D	1580	670	388	1460	725	1280	930	142	231	

## 电动小车运行式 HOIST WITH ELECTRIC TROLLEY

Applicable Type 使用机型	Capacity (Ton) 额定荷载	Lifting speed (m/min) 起升速度	Motor Power (kw) 电机功率	Rotation speed (r/min) 转速	Insulation Grade 电机绝缘等级	Travelling speed (m/min) 运行速度	Power Supply 工作电压	Control Voltage 控制电压	NO of Load Chain 链条根数	Spec. of Load Chain 链条规格	Net Weight (kg) 净重	I-Beam (mm) 工字钢
WHD5-15-06S	15	1.8	2x3.0	1440	F	11m/min & 21m/min	3P 380v 50Hz	24V 36V 48V	6	Φ11.2	382	150-220
WHD5-15-06D	15	1.8/0.6	2x3.0/1.0	2880/960					6		455	
WHD5-20-08S	20	1.4	2x3.0	1440					8		482	
WHD5-20-08D	20	1.5/0.5	2x3.0/1.0	2880-960					8		545	
WHD5-25-10S	25	1.1	2x3.0	1440					10		503	
WHD5-25-10D	25	1.2/0.4	2x3.0/1.0	2880/960					10		579	



## 规格参数 SIZE SPECIFICATION

Model 型号	Unit (mm) 单位							
	H	A	C	D	E	F	L	
WHD5-15-06S	1260	560	1070	54	630	88	95	
WHD5-15-06D	1260	560	1070	54	670	88	95	
WHD5-20-08S	1320	740	1260	70	630	88	115	
WHD5-20-08D	1320	740	1260	70	670	88	115	
WHD5-25-10S	1340	930	1460	70	630	88	115	
WHD5-25-10D	1340	930	1460	70	670	88	115	

## 固定式 SUSPENSION ELECTRIC HOIST

Applicable Type 使用机型	Capacity (Ton) 额定荷载	Lifting speed (m/min) 起升速度	Motor Power (kw) 电机功率	Rotation speed (r/min) 转速	Insulation Grade 电机绝缘等级	Power Supply 工作电压	Control Voltage 控制电压	NO of Load Chain 链条根数	Spec. of Load Chain 链条规格
WHD5-15-06S	15	1.8	2x3.0	1440	F	3P 380v 50Hz	24V 36V 48V	6	Φ11.2
WHD5-15-06D	15	1.8/0.6	2x3.0/1.0	2880/960				6	
WHD5-20-08S	20	1.4	2x3.0	1440				8	
WHD5-20-08D	20	1.5/0.5	2x3.0/1.0	2880-960				8	
WHD5-25-10S	25	1.1	2x3.0	1440				10	
WHD5-25-10D	25	1.2/0.4	2x3.0/1.0	2880/960				10	



# 低净空

## LOW CLEARANCE

### SINGLE SPEED

#### 单速

### 技术参数 TECHNICAL PARAMETERS

Model型号	WHD5										
	0.5-01L	01-01L	01-02L	1.5-01L	02-01L	02-02L	2.5-01L	03-01L	03-02L	05-02L	7.5-03L
Capacity (Ton) 额定荷载	0.5t	1t	1t	1.5t	2t	2t	2.5t	3t	3t	5t	7.5t
Lifting speed (m/min) 起升速度	7.2	6.8	3.6	8.8	6.6	3.4	5.6	5.6	4.4	2.8	1.8
Motor Power (kw) 电机功率	1.1	1.5	1.1	3.0	3.0	1.5	3.0	3.0	3.0	3.0	3.0
Rotation speed (r/min) 转速	1440r/min										
Insulation Grade 电机绝缘等级	F										
Travelling speed (m/min) 运行速度	11m/min&21m/min										
Power Supply 工作电压	3P-380v 50Hz										
Control Voltage 控制电压	24V/36V/48V										
NO.of Load Chain 链条回数	1	1	2	1	1	2	1	1	2	2	3
Spec.of Load Chain 链条规格	Φ6.3	Φ7.1	Φ6.3	Φ10.0	Φ10.0	Φ7.1	Φ11.2	Φ11.2	Φ10.0	Φ11.2	Φ11.2
I-Beam (mm) 工字钢	82-153	82-153	82-153	100-178	100-178	100-178	112-178	112-178	112-178	125-178	125-178

### DOUBLE SPEED

#### 双速

### 技术参数 TECHNICAL PARAMETERS

Model型号	WHD5										
	0.5-01LD	01-01LD	01-02LD	1.5-01LD	02-01LD	02-02LD	2.5-01LD	03-01LD	03-02LD	05-02LD	7.5-03LD
Capacity (Ton) 额定荷载	0.5t	1t	1t	1.5t	2t	2t	2.5t	3t	3t	5t	7.5t
Lifting speed (m/min) 起升速度	7.2/2.4	6.9/2.3	3.6/1.2	8.8/2.9	6.6/2.2	3.3/1.1	5.6/1.8	5.6/1.8	4.5/1.5	2.8/0.9	1.8/0.6
Motor Power (kw) 电机功率	1.1/0.37	1.8/0.6	1.1/0.37	3.0/1.0	3.0/1.0	1.8/0.6	3.0/1.0	3.0/1.0	3.0/1.0	3.0/1.0	3.0/1.0
Rotation speed (r/min) 转速	1440r/min										
Insulation Grade 电机绝缘等级	F										
Travelling speed (m/min) 运行速度	11m/min&21m/min										
Power Supply 工作电压	3P-380v 50Hz										
Control Voltage 控制电压	24V/36V/48V										
NO.of Load Chain 链条回数	1	1	2	1	1	2	1	1	2	2	3
Spec.of Load Chain 链条规格	Φ6.3	Φ7.1	Φ6.3	Φ10.0	Φ10.0	Φ7.1	Φ11.2	Φ11.2	Φ10.0	Φ11.2	Φ11.2
I-Beam (mm) 工字钢	82-153	82-153	82-153	100-178	100-178	100-178	112-178	112-178	112-178	125-178	125-178

Nonstandard power supply can be customized

1 工作电压定制: 3P、220v-690v 50/60Hz  
2 控制电压可定制: 24v/36v/48v

# 0.5~7.5t

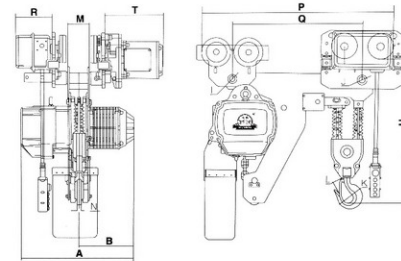
## LOW CLEARANCE

### 低净空

### 产品特点 PRODUCT FEATURES

It is typical structure in shortening the distance between the machine body and the beam tracks, applicable to operation inside low buildings, especially suitable for use in temporarily erected plant buildings or on the sites where expansion of effective hoisting spaces inside the buildings is required.

在短距机体与横梁轨道间距离上具有独特的最佳结构,适用于在较低建筑物内使用,尤其适用于临时搭建的厂房内或者在其内需要扩大有效起升空间的场所。



### 规格参数 SIZE SPECIFICATION

Model型号	H	A	B	P	Q	I	J	R	M	T
WHD5-0.5-01L	440	460	230	585	400	Φ27	Φ31	142	49	231
WHD5-01-01L	480	520	260	630	445	Φ27	Φ31	142	56	231
WHD5-01-02L	510	460	230	585	400	Φ27	Φ31	142	49	231
WHD5-1.5-01L	570	615	295	720	505	Φ31	Φ36	142	66	231
WHD5-02-01L	570	615	295	720	505	Φ31	Φ36	142	66	231
WHD5-02-02L	535	520	260	665	444.5	Φ31	Φ36	142	56	231
WHD5-2.5-01L	640	615	295	775	526	Φ36	Φ43	142	73	231
WHD5-03-01L	640	615	295	775	526	Φ36	Φ43	142	73	231
WHD5-03-02L	685	615	295	750	503	Φ36	Φ43	142	66	231
WHD5-05-02L	740	615	295	825	541	Φ43	Φ54	142	73	231
WHD5-7.5-03L	890	615	295	1041	751	Φ43	Φ54	142	77	231

# 10~15t

LOW CLEARANCE  
低净空

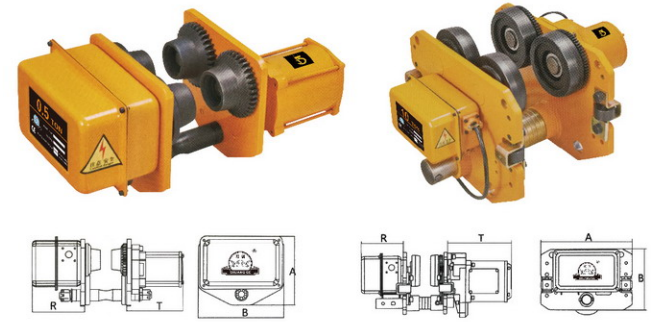
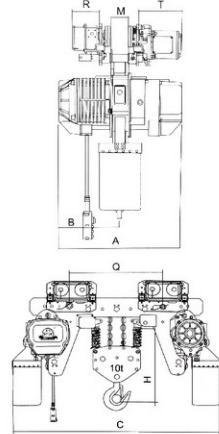


## 规格参数 SIZE SPECIFICATION

Model 型号	Unit (mm) 单位									
	H	A	B	C	Q	I	J	R	M	T
WHD5-10-01L	880	630	315	1620	682	Φ 54	Φ 54	142	77	231
WHD5-10-04LD	880	670	388	1620	682	Φ 54	Φ 54	142	77	231
WHD5-15-06L	1060	630	315	1850	898	Φ 54	Φ 54	142	81	231
WHD5-15-06LD	1060	670	388	1850	898	Φ 54	Φ 54	142	81	231

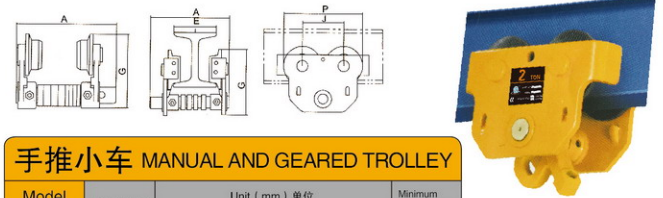
## 技术参数 TECHNICAL PARAMETERS

Model/型号	WHD5			
	10-04L	10-04LD	15-06L	15-06LD
Capacity (Ton) 额定荷载	10	10	15	15
Lifting speed (m/min) 起升速度	2.8	2.8/0.9	1.8	1.8/0.6
Motor Power (kw) 电机功率	2x3.0	2x3.0/1.0	2x3.0	2x3.0/1.0
Rotation speed (r/min) 转速	1440	2880/960	1440	2880/960
Insulation Grade 电机绝缘等级	F			
Travelling speed (m/min) 运行速度	11m/min&21m/min			
Power Supply 工作电压	3P-380v 50Hz			
Control Voltage 控制电压	24V /36V /48V			
NO. of Load Chain 链条回数	4	4	6	6
Spec. of Load Chain 链条规格	Φ 11.2			
I-Beam (mm) 工字钢	150-220			



## 电动小车 ELECTRIC TROLLEY

Model 型号	Capacity (T) 额定荷载	Unit (mm) 单位				Speed (m/min) 运行速度	Motor (kw) 电机功率	Minimum radius of turn 最小转弯半径
		A	B	R	T			
WPX-0.5	0.5	185	195	110	150	12	0.12	1.0
WPX-01	1	315	205	142	231	21m/min & 11m/min	0.4	1.3
WPX-02	2	325	217				0.4	1.5
WPX-03	3	340	250				0.75	1.6
WPX-05	5	400	291				0.75	1.8
WPX-7.5	7.5	400	291				0.75	1.8
WPX-10	10	500	371	0.75	2.5			



## 手推小车 MANUAL AND GEARED TROLLEY

Model 型号	Capacity (T) 额定荷载	Unit (mm) 单位				Minimum radius of turn 最小转弯半径
		A	G	P	J	
WPC-0.5	0.5	200	130	163	91	0.6
WPC-01	1	200	170	221	115	1.0
WPC-02	2	218	205	265	138	1.0
WPC-03	3	275	236	305	157	1.2
WPC-05	5	275	280	332	178	1.6