



MOTEGI

Compressed Air Preparation & Fitting



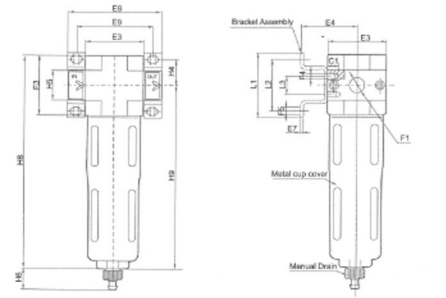
AIR FILTER



Model	Port Size	Nominal Flow Rate (m ³ /min)	Max Pressure (Bar)	Filtration (μM)
MI - 7003A	3/8"	1.1	12	5
MI - 7004A	1/2"	1.9		
MI - 7006A	3/4"	3.2		

Dimension

MODEL	E3	E4	E7	E8	E9	F1	F4	F5φ	L1	L2	L3	H4	H5	H6	H8	H9
MI-7003A	40	39	2	64	52	G3/8"	M4	4.5	44	35	11	17.5	20	15	144	124
MI-7004A	55	47	3	85	70	G1/2"	M5	5.5	71	60	22	30	32	15	180	153
MI-7006A	66	53	3	96,116	80,91	G3/4"	M5	5.5	71	60	22	30	32,40	15	203	170



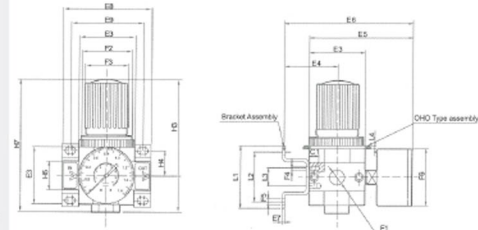
REGULATOR



Model	Port Size	Nominal Flow Rate (m ³ /min)	Pressure Range (Bar)	Filtration (μM)
MI - 7103	3/8"	1.7	1-12	5
MI - 7104	1/2"	3.5		

Dimension

MODEL	E3	E4	E5	E6	E8	E9	F1	F2	F3φ	F4	F5φ	F6φ	L1	L2	L3	L4	H3	H4	H7
MI-7103	40	39	76	95	64	52	G3/8"	M36x1.5	31	M4	4.5	41	44	35	11	Max.3	69	17.5	96
MI-7104	55	47	93	112	85	70	G1/2"	M52x1.5	50	M5	5.5	52	73	60	22	Max.5	98	24.5	96



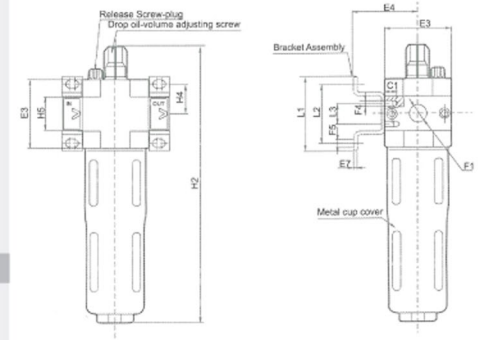
LUBRICATOR



Model	Port Size	Nominal Flow Rate (m ³ /min)	Oil Volume (ml)	Max Pressure (Bar)
MI - 7203	3/8"	2.7	135	12
MI - 7204	1/2"	6.1	235	

Dimension

MODEL	E3	E4	E7	F1	F4	F5φ	L1	L2	L3	H4	H5
MI-7203	40	39	2	G3/8"	M4	4.5	44	35	11	17.5	20
MI-7204	55	47	3	G1/2"	M5	5.5	73	60	22	30	32



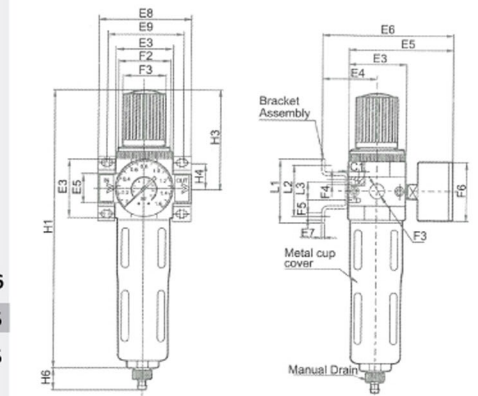
FILTER & REGULATOR (FR)



Model	Port Size	Nominal Flow Rate (m ³ /min)	Pressure Range (Bar)	Filtration (μM)
MI - 7303A	3/8"	1.35	1-12	5
MI - 7304A	1/2"	2.5		

Dimension

MODEL	E3	E4	E5	E6	E8	E9	F1	F2	F3φ	F4	F5φ	F6φ	L1	L2	L3	H1	H3	H4	H5	H6
MI-7303A	40	39	76	95	64	52	G3/8"	M36x1.5	31	M4	4.5	41	44	35	11	194	69	17.5	20	15
MI-7304A	55	47	93	112	85	70	G1/2"	M52x1.5	50	M5	5.5	52	73	60	22	250	98	24.5	32	15



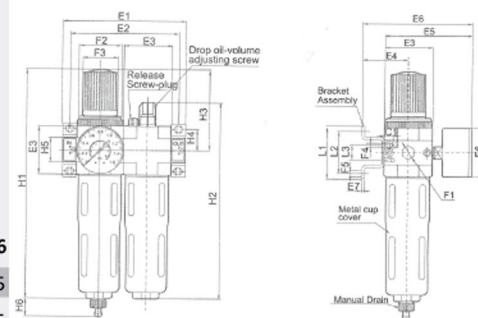
FILTER REGULATOR & LUBRICATOR (FRL)



Model	Port Size	Nominal Flow Rate (m ³ /min)	Oil Volume (ml)	Max Pressure (Bar)	Filtration (μM)
MI - 7403A	3/8"	1.05	135	1-12	5
MI - 7404A	1/2"	1.8	235		

Dimension

MODEL	E1	E2	E3	E4	E5	E6	E7	F1	F2	F3φ	F4	F5φ	F6φ	L1	L2	L3	H1	H2	H3	H4	H5	H6
MI-7403A	104	92	40	39	76	95	2	G3/8"	M36x1.5	31	M4	4.5	41	44	35	11	194	169	69	17.5	20	15
MI-7404A	140	125	55	47	93	112	3	G1/2"	M52x1.5	50	M5	5.5	52	71	60	22	250	206	97	24.5	32	15



PNEUMATIC TUBE FITTINGS - FEATURE

- One-Touch push-to-connect configuration allows an instant tubing connection.
- Smooth-Edge release sleeve design facilitates a quick tubing disconnection.
- Pre-applied sealant on all external threads eliminates the additional sealing requirement.

Specification

Fluid Type	Air, Vacuum
Operating Pressure	0-10.2Kgf/cm ² (0~1.0Mpa)
Negative Pressure	-750mm Hg(10Torr)
Operating Temperature Range	0~60°C
Tube Material	Nylon and Polyurethane

(1) Model Type

(2) Tube Outer Diameter (φD)

Metric Tube							
Code	04	06	08	10	12	14	16
φD (mm)	4	6	8	10	12	14	16

Ordering Code

XPC	08	02
(1)	(2)	(3)

(3) Thread Type & Size

Metric Size			
Code	M5	M6	M8
Size	M5x0.8	M6x1	M8x1

• Taper Pipe Thread

R(PT)Thread				
Code	01	02	03	04
Size	R1/8"	R1/4"	R3/8"	R1/2"

STRAIGHT TYPE JOINT



XPC 04-M5	XPC 06-01	XPC 08-01	XPC 10-01	XPC 12-02
XPC 04-01	XPC 06-02	XPC 08-02	XPC 10-02	XPC 12-03
XPC 04-02	XPC 06-03	XPC 08-03	XPC 10-03	XPC 12-04
XPC 06-M5	XPC 06-04	XPC 08-04	XPC 10-04	

HALF ELBOW



XPL 04-M5	XPL 06-01	XPL 08-01	XPL 10-01	XPL 12-02
XPL 04-01	XPL 06-02	XPL 08-02	XPL 10-02	XPL 12-03
XPL 04-02	XPL 06-03	XPL 08-03	XPL 10-03	XPL 12-04
XPL 06-M5	XPL 06-04	XPL 08-04	XPL 10-04	

BOTH PART TEE



XPB 04-M5	XPB 06-01	XPB 08-01	XPB 10-01	XPB 12-02
XPB 04-01	XPB 06-02	XPB 08-02	XPB 10-02	XPB 12-03
XPB 04-02	XPB 06-03	XPB 08-03	XPB 10-03	XPB 12-04
XPB 06-M5	XPB 06-04	XPB 08-04	XPB 10-04	

MALE RUN TEE



XPD 04-M5	XPD 06-01	XPD 08-01	XPD 10-01	XPD 12-02
XPD 04-01	XPD 06-02	XPD 08-02	XPD 10-02	XPD 12-03
XPD 04-02	XPD 06-03	XPD 08-03	XPD 10-03	XPD 12-04
XPD 06-M5	XPD 06-04	XPD 08-04	XPD 10-04	

Y CONNECTOR



XPX 04-M5	XPX 06-01	XPX 08-01	XPX 10-01	XPX 12-02
XPX 04-01	XPX 06-02	XPX 08-02	XPX 10-02	XPX 12-03
XPX 04-02	XPX 06-03	XPX 08-03	XPX 10-03	XPX 12-04
XPX 06-M5	XPX 06-04	XPX 08-04	XPX 10-04	

SPEEDREDUCER


XJSC 04-M5	XJSC 06-01	XJSC 08-01	XJSC 10-01	XJSC 12-02
XJSC 04-01	XJSC 06-02	XJSC 08-02	XJSC 10-02	XJSC 12-03
XJSC 04-02	XJSC 06-03	XJSC 08-03	XJSC 10-03	XJSC 12-04
XJSC 06-M5	XJSC 06-04	XJSC 08-04	XJSC 10-04	

UNION ELBOW


XPV 04	XPV 10
XPV 06	XPV 12
XPV 08	

TEE


XPE 04	XPE 10
XPE 06	XPE 12
XPE 08	

BULKHEAD


XPM 04	XPM 10
XPM 06	XPM 12
XPM 08	

FEMALE CROSS


XPZA 04	XPZA 10
XPZA 06	XPZA 12
XPZA 08	

FEMALE STRAIGHT


XPU 04	XPU 10
XPU 06	XPU 12
XPU 08	

REDUCING STRAIGHT


XPG 06-04	XPG 12-10
XPG 08-06	
XPG 10-08	

REDUCING Y CONNECTOR


XPY 06-04	XPY 12-10
XPY 08-06	
XPY 10-08	

FEMALE Y CONNECTOR


XPW 06-04	XPW 12-10
XPW 08-06	
XPW 10-08	

PLUG REDUCER


XPGJ 06-04	XPGJ 10-06	XPGJ 12-08
XPGJ 08-04	XPGJ 10-08	XPGJ 12-10
XPGJ 08-06	XPGJ 12-06	

SILENCER


B-M5	B-10
B-6	B-15
B-8	B-20

SILENCER


SU-6	SU-15
SU-8	
SU-10	

