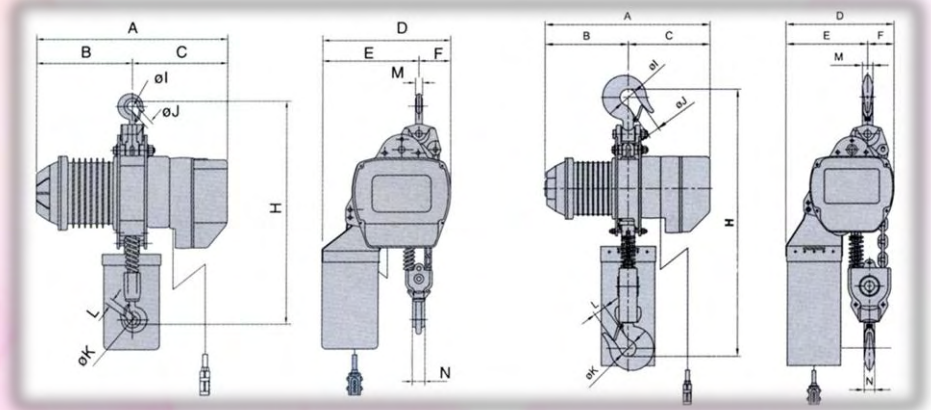
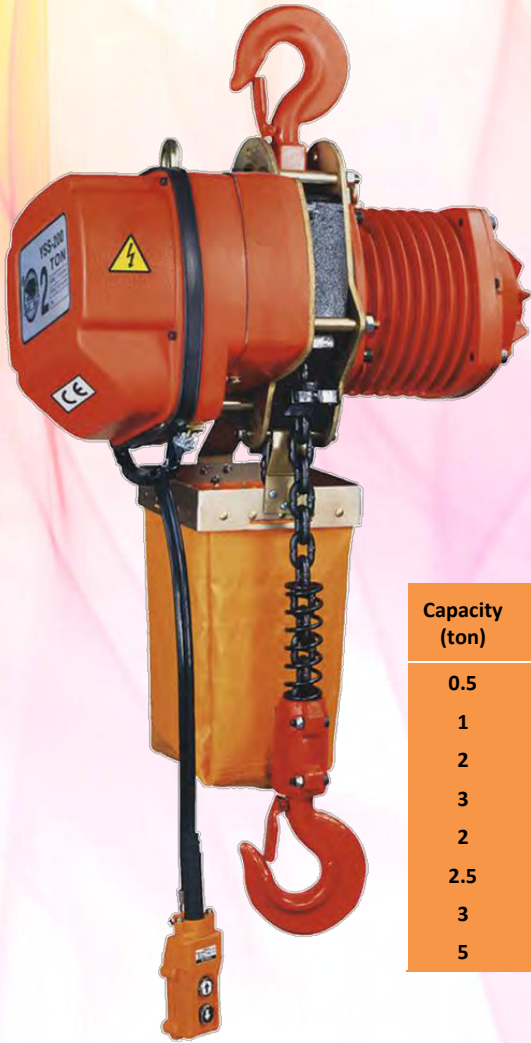




ELECTRIC CHAIN HOIST



Capacity (ton)	Model	Dimensions (mm)												
		H	A	B	C	D	E	F	I	J	K	L	M	N
0.5	YSH,H,E,F-050	570	505	245	260	240	115	125	40	28	40	28	23	23
1	YSH,H,E,F-100	570	505	245	260	240	115	125	40	28	40	28	23	23
2	YSH,H,E,F-200	700	505	245	260	240	175	65	46	36	46	36	31	31
3	YSL,H-300	880	505	245	260	280	175	105	52	43	52	43	34	34
2	YSS-200	835	640	326	314	448	278	170	52	43	52	43	34	34
2.5	YSS-250	880	640	326	314	448	278	170	52	43	52	43	34	34
3	YSS-300	960	640	326	314	448	340	108	52	43	52	43	34	34
5	YSS-500	1030	640	326	314	448	356	92	62	45	62	45	45	45

Capacity (ton)		0.5	1.0	2.0	3.0	5.0
Lift Length (m)		5	5	5	5	5
Load Chain (mm)		Ø7.1	Ø7.1	Ø7.1 / Ø10	Ø10	Ø11.2
Single Speed (m/min) 50 (Hz)	YSF	6.7	4.7	---	---	---
	YSE	6.7	4.7	2.3	---	---
	YSH	---	6.7	3.3	2.2	---
	YSS	---	---	6.6	4.3	2.7
Motor Power (kw)	YSF	1.8	1.8	---	---	---
	YSE	1.5	1.5	1.8	---	---
	YSH	---	1.8	1.8	1.8	---
	YSS	---	---	3.7	3.7	3.7
Power Supply (v)	YSF	230	230	---	---	---
	YSE,H,S	415	415	415	415	415
Load Chain and Fall Number	YSF	1	1	---	---	---
	YSE,H,S	1	1	2	2	2
Weight (kg)	YSF	55	55	---	---	---
	YSE,H	50.5	50.5	61	73	---
	YSS	---	---	125	140	153



HAND LIFTING TABLE

WTF-500 & WTF-1000



PALLET TRUCK

DZ-2 & DZ-3



Specification:

Model	DZ-2(ST)	DZ-3(S)	DZ-3(B)
Capacity (kg)	2000	3000	3000
Width Overall Forks (mm)	480	550	685
Fork Width (mm)	150	150	150
Fork Length (mm)	900	1100	1220
Min Fork Height (mm)	80	80	80
Max Fork Height (mm)	200	200	200
Weight (kg)	60	70	75

Specification:

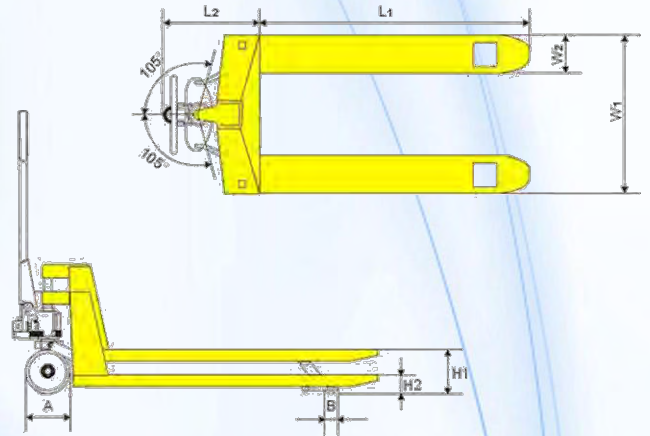
Model	WTF-500	WTF-1000
Capacity (kg)	500	1000
Min Table Height (mm)	280	430
Max Table Height (mm)	900	1000
Dia of Table (mm)	810x500x50	1000x512x55
Weight (kg)	85	135



IHM HYDRAULIC HAND PALLET TRUCK



Model	Capacity (ton)	Fork Dimensions (mm)					
		W1	W2	L1	L2	H1	H2
IHM2500	2.5	550	150	1070	375	200	80
IHM3000	3.0	685	150	1220	375	200	80



STACKER 1000kg

Model	CYSD1
Capacity (kg)	1000
Lifting Height (mm)	99-1600
Overall Length (mm)	1424
Overall Width (mm)	720
Overall Height (mm)	1980
Fork Length (mm)	900/1150
Fork Width (mm)	133
Fork Outside Distance (mm)	280-680
Lifting Speed (mm/time)	≥22
Descending Speed	Controllable
Center Of Load (mm)	450
Steering Radius (mm)	1250
Front Wheel Diameter (mm)	Ø80
Rear Wheel Diameter (mm)	Ø180
Self Weight (kg)	200

